

# 双铜128 黑白折页

70mm

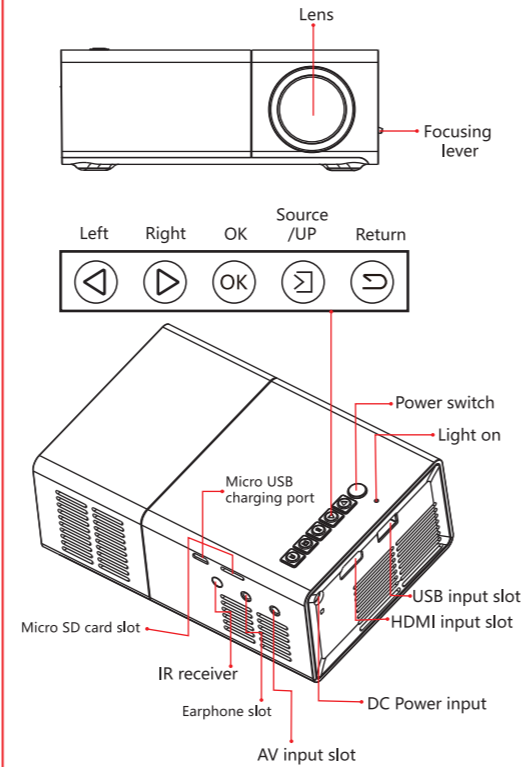
120mm

## 1 Safety notice

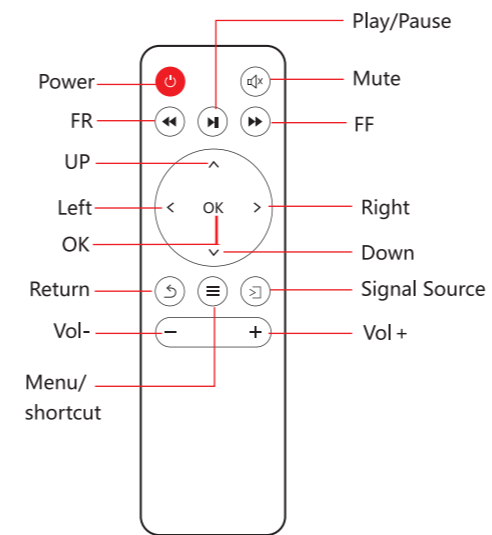
- 1.1. Please read Manual carefully before you use the projector.
- 1.2. To ensure stable power supply, please use national standard power cable and power cord with grounding.
- 1.3. Please use the power type marked on the projector or the power cord provided for power supply.
- 1.4. Please do not disassemble the machine yourself, otherwise the company will not undertake free warranty service.
- 1.5. Do not look directly at the projector lens while the machine is working to avoid damage your eyes.
- 1.6. To prevent clogging the projector vents, do not cover it with cloth, carpet or other materials.
- 1.7. This projector does not have waterproof function, please keep it away from rain, moisture and other items containing liquid such as vase, cup, etc.
- 1.8. To avoid electric please keep the projector away from rain or water or moisture.
- 1.9. And cut off the power supply if do not use this project for a long time.
- 1.10. Use the originally foam or other unit-shock material to protect projector, if you need transport this projector.
- 1.11. If you find the projector have problems, please contact with the supplier, do not repair by yourself.
- 1.12. To extend the projector life span and protect your eyesight, we suggest you may have a break after 3-4 hours using.

Maintain Indication:  
1-year warranty from factory, for more warranty information, please contact with supplier (warranty service is not including the frame, manual, package, and some subjective idea about the video, sound, image aspects).

## 2 Interface introduction



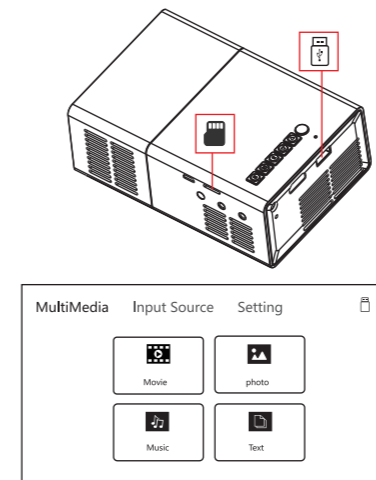
## 3 Remote control introduction



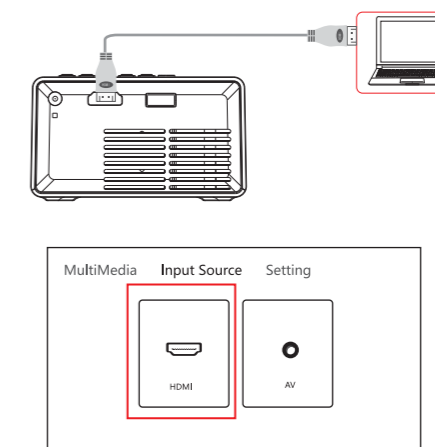
\*NOTE:  
1. To avoid power shortage, please do not mixed use the old and new battery.  
2. To avoid battery leakage corrosion, if do not use remote control for a long time, please take the battery out.  
3. When using the remote control, please align the remote control signal transmitter to the projector's infrared signal reception window.

## 4 Media connection

4.1. Media input slot connection  
Connect the USB/Micro SD drive with the content to the projector USB/Micro SD port, select "Media", you can select movies, music, photo, text on the list.

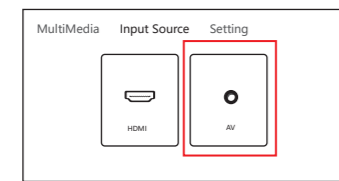
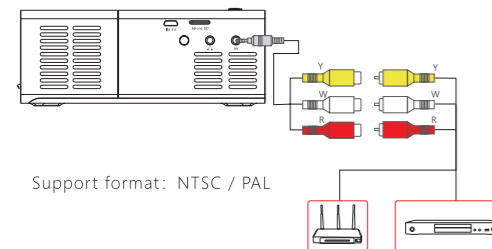


4.2. HDMI equipment connection  
HDMI slot could connect to computer and all the device with HDMI slot. As connected, choose the source HDMI.

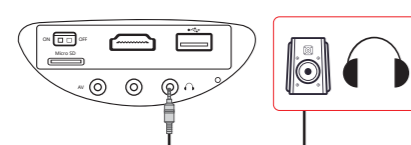


# 封底

4.3 AV video device connection  
Use 3 in 1 cable video convert cable, connect projector AV slot, the connection method as the picture below, as connected, choose the input source: AV.

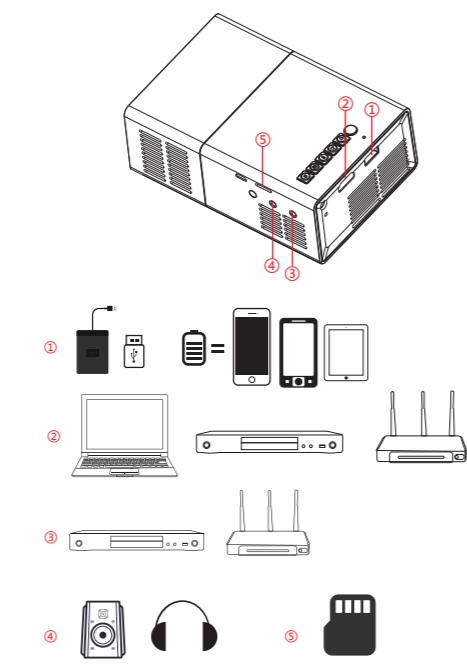


4.4 3.5mm audio device connection  
Could connect 3.5mm earphone and speaker equipment.



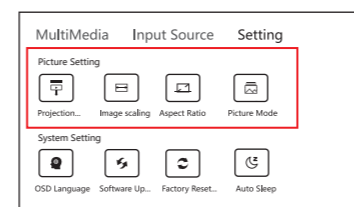
## 5 Projector connection introduction

5.1 Connection introduction

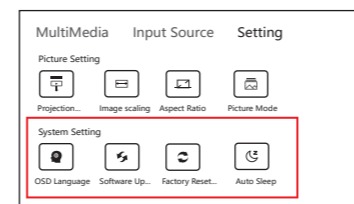


## 6 Setup menu

6.1 Picture setting  
Open the home page--"Setting", find the picture setting, you can set up the projection mode, image scaling, aspect ratio, picture mode of the projector.

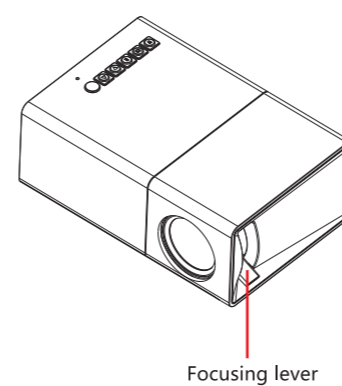


6.2 System setting  
Open the home page--"Setting", find the system setting, you can set up the OSD language, software update, factory restore, auto sleep of the projector.



## 7 Image focus

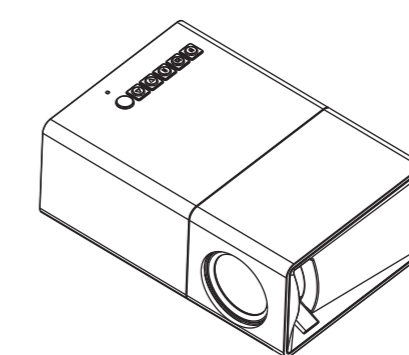
Put the projector vertical to the projector screen or white wall, adjust the keystone, until the image clearly enough, then the focus is finished. During the focusing, you could display video the menu to check the focus adjust.



## 8 Specifications

Imaging technology	TFT-LCD
Maximum compatible resolution	1920*1080
Light	LED
Projection distance	1--3.5M
Screen size	32---120 inches
Aspect ratio	16:9
Projection ratio	1.36:1
Input	USB/HDMI/Micro SD/AV
Output	Earphone
Speaker	4Ω2W
Unit size	143.5*99*54mm
Net weight	0.355kg

## User Manual



Due to continuous improvement, actual product may different from the manual, manual is for reference only.

# 封面